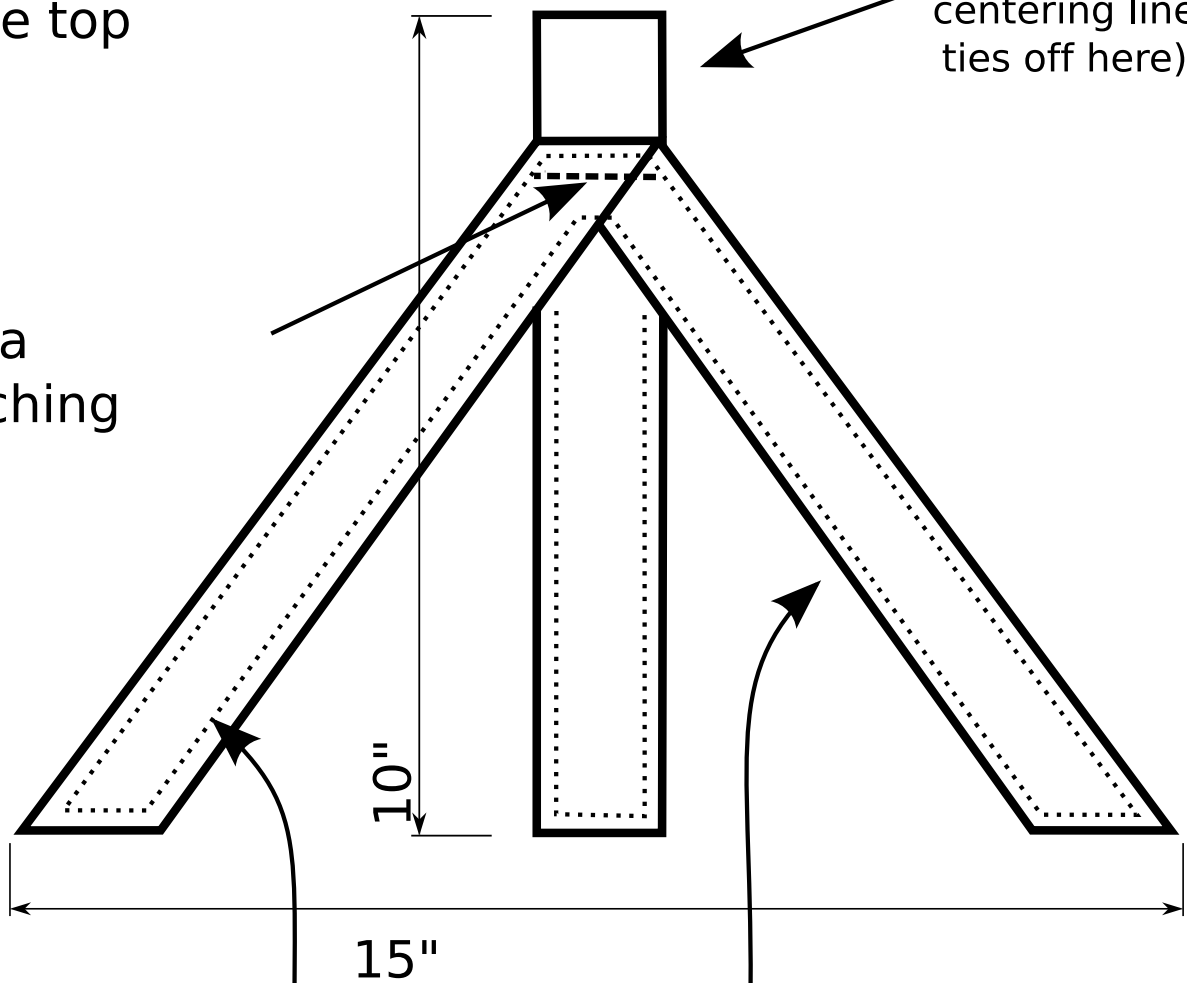


XLTA Open Content Balloon Plans Detail of "Stickman"

5038-Type-IV Webbing
1" wide by 20" long
folded in half and
sewn to leave a 1" loop
at the top

Loop
(Parachute
centering line
ties off here)

Extra
Stitching



Stitching on all lower
edges.

5038-Type-IV Webbing
1" wide by 24" long (approx.)
folded into an inverted "V"
and sewn so as to distribute
the load from the parachute
centering line